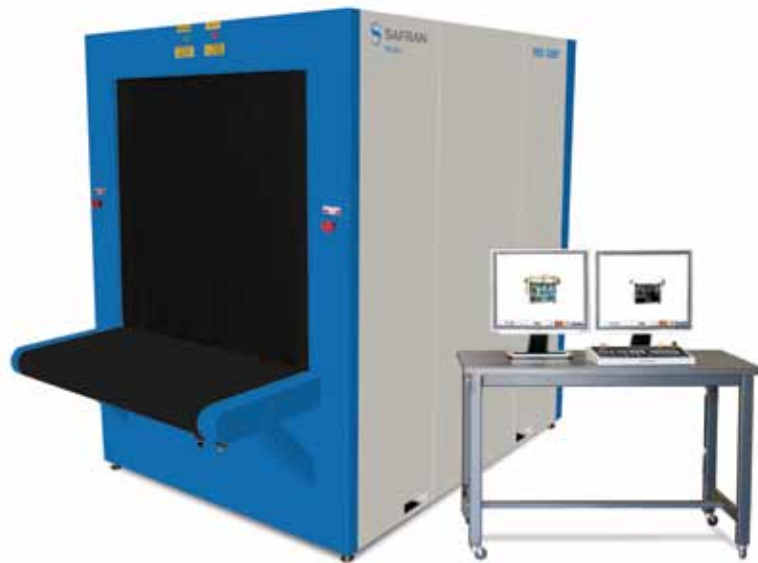


HRX 1000™

EXCEPTIONAL X-RAY IMAGING TECHNOLOGY



Morpho Detection's HRX 1000™ X-ray scanner is a cost effective solution ideal for screening large parcels and cargo in airports, government offices, and other business applications. The tunnel size of 100 cm (39.4 in) wide by 100 cm (39.4 in) high maximizes the effective screening region, producing exceptional images while rapidly inspecting large articles.

Benefits

- Compact inspection system
- Cost-effective solution ideal for screening small parcels in airports, government offices, and other business applications
- Windows® XP Professional platform, utilizing the central structure, reduced hardware costs, minimal interfaces, easy upgrade paths, full integration
- High-speed Ethernet TCP/IP data communication capability.
- Network capability with other inspection systems to maximize a comprehensive checkpoint solution

From



Bishopsgate



SAFRAN

Morpho



The System Health screen provides continuous diagnostic information.



Black and white bag image.



Color bag image.

HIGH-QUALITY IMAGES. FLEXIBLE SOLUTION.

PC-based System for User Flexibility

The HRX 1000 runs on Windows® XP Professional, utilizing the central structure, reduced hardware costs, minimal interfaces, easy upgrade paths, full integration and high reliability of a PC-based system.

Robust Network Design

The HRX 1000 is equipped with high-speed Ethernet TCP/IP data communication capability. Images from any HRX model can be securely sent through the network to a central server where they can be viewed, stored, and printed. The HRX 1000 is also designed to network with other inspection systems to maximize a comprehensive checkpoint solution.

Standard Features

- Automated image archiving—up to 50,000 images
- User-friendly image review—up to last 100 images
- System Health, advanced continuous diagnostics
- High penetration function
- Density alert
- Edge-enhancement imaging
- Baggage counter
- Color and black/white imaging
- Bi-directional conveyor movement
- Geometric image distortion correction
- Horizontal and vertical imaging
- Image annotation
- Manual archiving of images in bitmap format
- Organic and inorganic imaging
- Clarify feature for improved resolution and penetration
- Print image function
- Programmable contrast levels
- Pseudocolor and reverse monochrome
- Real-time image manipulation

- Two high-resolution 19 in. (48.26 cm) LCD color monitors
- User-defined access to image archive
- 2X to 32X User-selectable zoom
- Z-number measurement
- Six color imaging
- Nine zone zoom

Optional Accessories and Features

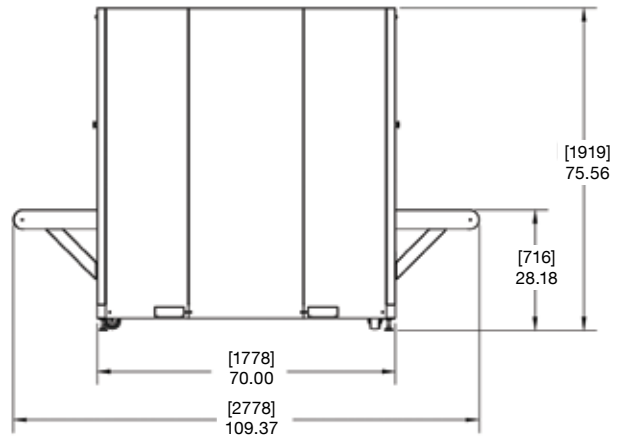
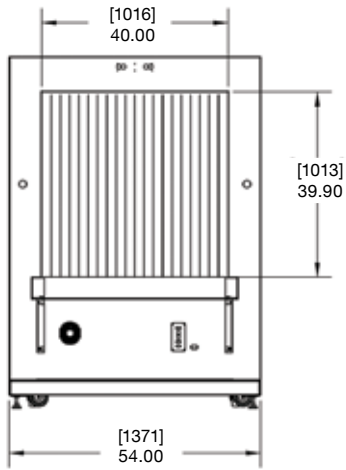
- Advanced Image Archive, up to 100,000 images
- Threat Image Projection software
- Screener Assist Threat Detection System
- Localized language capability
- Entry/exit rollers (0.5 m, 1.0 m or 1.5 m)
- Barrier for roller table
- 24 in. (60.96 cm) LCD monitor (replaces 19 in. [48.26 cm] monitors)
- Tropical Kit
- Remote Workstations
- Suspect Search Station
- Supervisor Workstation
- Footmat
- Heavy-duty rubber casters
- Polar Heating Kit

CUSTOMER SERVICE

Morpho Detection provides flexible support programs and training to optimize product performance and increase customer satisfaction. Our 24-hour Customer Assistance Center (CAC) provides prompt access to qualified technical support personnel and an Integrated Response Program. Meanwhile, our training experts provide specialized instruction to operators through year-round on-site and computer-based courses.

For successful HRX 1000 product integration, Morpho Detection can provide our Project Management team to plan for proper design layout and deployment. Please contact us to learn how Morpho Detection can support your security needs.

> Dimensional Drawings (dimensions in inches [millimeters]).



TECHNICAL SPECIFICATIONS

(Guarantees measured using Manufacturer's test piece)

Sensitivity	40 gauge wire typical, 38 standard
Penetration	39 mm steel typical, 37 mm standard
Contrast Sensitivity	24 visible levels, 4096 gray levels
Power Requirements	110VAC: 96-132 VAC, 60 Hz. 15 Amp max. 220VAC: 183-253 VAC, 50 Hz. 10 Amp max.

Environmental Conditions

Operating Temperature	0 to 40°C (32 to 104°F)
Storage Temperature	-20 to 60°C (-4 to 140°F)
Humidity	Up to 95% non-condensing

Video Display

Dual 19 in. (48.26 cm) high-resolution, low radiation, ergonomic, LCD color monitors	
Display Resolution	1280 x 1024; 24 bit/pixel color

X-ray Detector

2304 channels in an "L"-shaped array.	
---------------------------------------	--

X-ray Generator

Voltage	180 kV—operating at 165 kV
Tube Current	1.2 mA
Cooling	Sealed oil bath
Duty Cycle	100%
Beam Direction	Vertically upward

Physical Specifications

Net Weight	Approx. 982 kg (2166 lb)
Shipping Weight	Approx. 1299 kg (2864 lb)
Tunnel Opening	1000 mm (39.4 in) x 1000 mm (39.4 in)
Conveyor Speed	0.23 m/s (45 ft/min) in forward direction
Conveyor Height	716 mm (28.2 in)
Conveyor Capacity	200 kg distributed load (440 lb)
Dimensions (l x w x h)	2778 mm x 1371 mm x 1919 mm (109 in x 54 in x 76 in)

Computer Specification

At a minimum: Core2 Quad, 2.66 GHz, 1333 MHz, 2 GB RAM at 1333 MHz, 250 GB HDD, 256 MB Video Card with dual digital display, UPS to support PC and electronics.	
---	--

Health and Safety

Complies with published international standards including the U.S.F.D.A., Center for Devices and Radiation Health performance standards for cabinet X-ray systems (Federal Standard 21-CFR 1020.40). Typical leakage radiation is less than 0.1mR/hr, compared with maximum leakage at 0.5mR/hr permitted by the Federal Standard. Film safety guaranteed for high speed films up to ISO 1600.	
--	--

ISO 9001:2000

Morpho Detection, Inc. is an ISO 9001:2000 certified organization.	
--	--

KEY MISSIONS, KEY TECHNOLOGIES

© 2010-2012 Morpho Detection, Inc. All rights reserved. HRX is a trademark of Morpho Detection, Inc. Features and specifications are subject to change without notice.
EX-RV 2/12 GEN-41 DAT 2/12



Bishopsgate Int (Nig) Ltd
52a Campbell Street
Lagos Island CBD
Lagos State 100221

Tel. **+234 (700) 247-4677-4283**
Email: sales@bishopsgate-ng.com
Web: www.bishopsgate-ng.com

