

Standard Quality Doors for fire and theft protection of valuables. In use today in thousands of banks throughout the world.



Standard Quality Doors

FIRE AND THEFT PROTECTION

12mm and 25mm Doors

Key Features

- Designed for installation in bank branches or in locations where reasonable theft and fire protection is essential.
- The frame is made from formed steel plates at the sides and top with a flat frame at the bottom, all welded to form a complete structure of uniform strength.
- For securing the frame into the wall, reinforcing bars are used to suit a recommended wall thickness of 300 mm.
- The doors are hung in the frame by hardened steel pivots working in steel carriages. Vertical thrust from the door is taken on hardened steel washers and the doors can be vertically adjusted.
- The doors are normally hung right but can be ordered to hang left.
- Finished in RAL 9002 off-white with black door furniture.
- Optional grill gates available for daytime use, secured with double key locks.

From



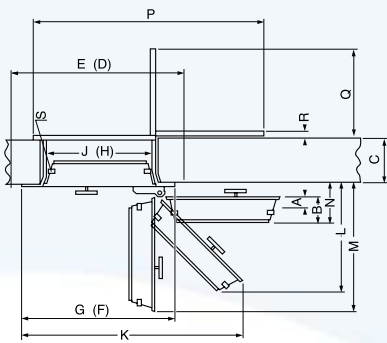
Bishopsgate

Chubbsafes
Trusted the world over.



BURGLARY & FIRE
PROTECTION

Ref.	Description	Main door (mm)		Emergency door (mm)	
A	Barrier material thickness	12	25	12	25
B	Overall door thickness	155	155	155	155
C	Recommended wall thickness (incl. finish)	300	300	300	300
(D)	Wall opening required - height	2300	2300	1050	1050
E	Wall opening required - width	1420	1420	1010	1010
(F)	Overall height of frame	2142	2142	840	840
G	Overall width of door and frame when door closed	1210	1210	800	800
(H)	Clear opening - height	2000	2000	588	588
J	Clear opening with door at 180o - width	920	920	510	510
K	Minimum width to give maximum clear opening	1880	1880	1164	1164
L	Projection of door at position K	780	780	515	515
M	Projection of door at 90o	1045	1045	636	636
N	Projection of door fully open	225	225	225	225
P	Overall width of gate when fully open	2065	2065	1245	1245
Q	Projection of gate at 90o	1000	1000	550	550
R	Projection of gate fully open	51	51	51	51
(S)	Number of moving bolts	6	6	3	3
(T)	Net weight (in kg)	615	800	210	245



Shipping information
(size of case including Grille Gate and Vestibule)

	Main door (mm)		Emergency door (mm)	
Height	2275	2275	970	970
Weight	1338	1338	900	900
Depth	530	530	530	530
Weight (incl packing in kg)	775	960	275	310

Locking

A 3 wheel combination lock with 1 000 000 variations and a 8-lever key lock. Other locking arrangements are available.

Fire Protection

A 44 mm thick panel of thermal insulation material is fitted at the back of the door.

Theft Protection

A continuous steel plate – 12 mm or 25 mm - welded to the lock case, giving an overall thickness of 155 mm, enclosing six 38 mm moving bolts resisting brute force attack. The hinge side is further protected by six fixed dog bolts which engage into the frame when the door is closed.

Explosive Protection

A reloading device secures the bolts in the event of an attack on the lock.



Bishopsgate Int (Nig) Ltd
52a Campbell Street
Lagos Island CBD
Lagos State 100221

Tel. +234 (700) 247-4677-4283
Email: sales@bishopsgate-ng.com
Web: www.bishopsgate-ng.com

Chubbsafes
Trusted the world over.