

Compact Easyprox Keypad

System specifications

Maximum total users/tokens	10,000 (Card pack limit applies)
Token compatibility	Paxton EM
PIN Length	4 - 8
Number of codes	50
Code length	4 - 8
Handsfree compatible	No
Door open time	1 sec - 60 secs
Silent operation	Yes

Electrical

Battery type	Easyprox battery pack - 4 x AA high capacity
Battery life	2 Years (typical)

Environment

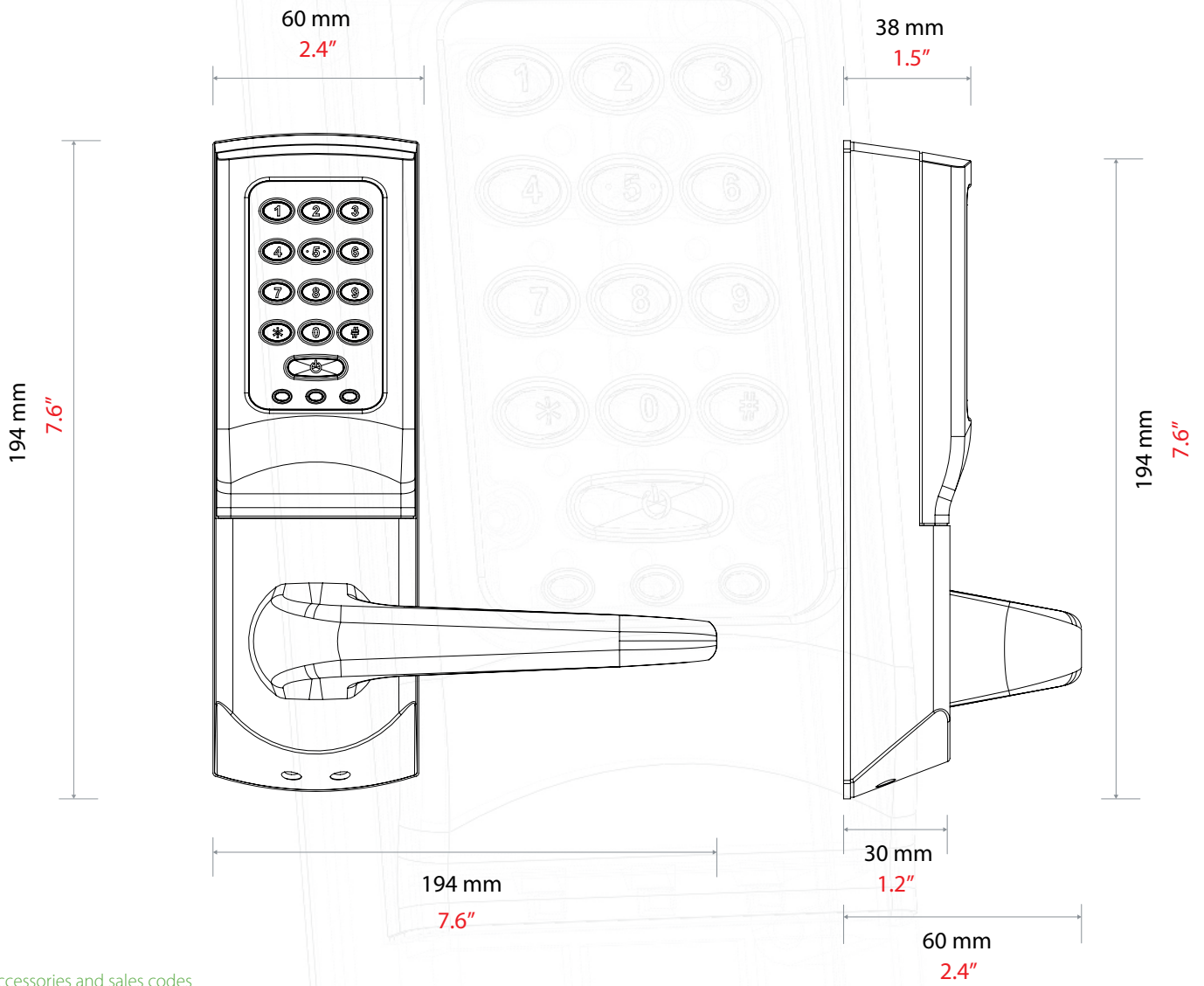
Operating temperature	0°C - +55°C +32°F - +131°F
Moisture resistance	No
Vandal Resistance	Low



The Easyprox compact keypad is an all-in-one battery powered lock and access control system that is ideal for internal doors. Installing the system is easy because it's not wired into a mains power source. This keypad may also be used with proximity tokens to allow token plus code or PIN.

The Easyprox compact keypad is supplied with everything needed to secure one door, including a tubular mortice latch. Easyprox compact is battery powered and does not require mains power. Installation is very cost effective and creates minimal disruption as no cable is required to communicate between doors and there is no need to wire into mains. The Easyprox compact keypad benefits from unique ease of installation and configuration - no knowledge of networks is required.

If using code or PIN simply enter the number and the door will unlock. If using token plus code or pin, press the power button to "wake up" the unit, present the token then enter the code or PIN.



Accessories and sales codes

Compact Easyprox keypad

746-927

Easyprox battery pack - 4 x AA high capacity

746-927



 **Bishopsgate Int (Nig) Ltd**
52a Campbell Street
Lagos Island CBD
Lagos State 100221
Tel. +234 (700) 247-4677-4283
Email: sales@bishopsgate-ng.com
Web: www.bishopsgate-ng.com