

Compact Easyprox

System specifications

Maximum total users/tokens	10,000 (Card pack limit applies)
Token compatibility	Paxton EM
PIN Length	No
Number of codes	No
Code length	No
Handsfree compatible	No
Door open time	1 sec - 60 secs
Silent operation	Yes

Electrical

Battery type	Easyprox battery pack - 4 x AA high capacity
Battery life	2 Years (typical)

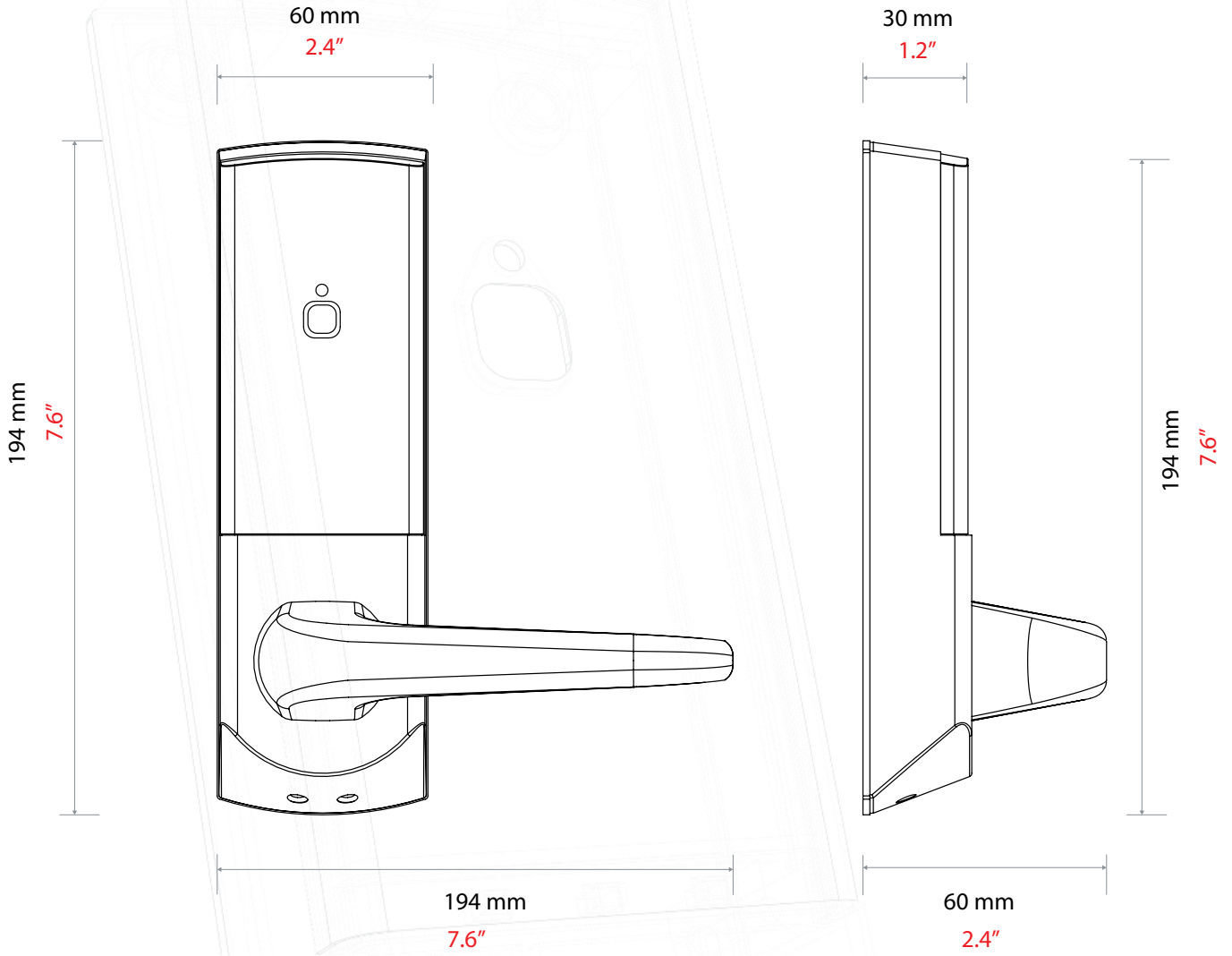
Environment

Operating temperature	0°C - +55°C +32°F - +131°F
Moisture resistance	No
Vandal Resistance	Low



Easyprox compact is an all-in-one battery powered lock and access control system that is ideal for internal doors. Installing the system is easy because it's not wired into a mains power source. Easyprox compact can be installed to many doors over a site, all using the same tokens.

Easyprox compact is supplied with everything needed to secure one door, including a tubular mortice latch. Easyprox compact is battery powered and does not require mains power. Installation is very cost effective and creates minimal disruption as no cable is required to communicate between doors and there is no need to wire into mains. Easyprox compact benefits from unique ease of installation and configuration - no knowledge of networks is required.



Accessories and sales codes

Compact Easyprox 746-927

Easyprox battery pack - 4 x AA high capacity 746-927



Bishopsgate Int (Nig) Ltd
52a Campbell Street
Lagos Island CBD
Lagos State 100221

Tel. +234 (700) 247-4677-4283
Email: sales@bishopsgate-nq.com
Web: www.bishopsgate-nq.com