

CUBE TECH (Auto - L)

ALLTECH

» Motorised Security Booth

Features

Site assembled cubicle with circular base, easy to position, with single or bi parting doors giving 850mm mm width opening and side glass.

Motorised operated doors with electronic interlock and optional electronic detection systems.

Materials

- Frame : Coated steel sections
- Glass : Available in either Anti bandit or 28mm BR3 Ballistic glass
- Finishing : Finish in 3 RAL colours (Other colours on request)

Technical Features

- Remote Command Console with intercom
- Digital vocal communication for the guide of the users
- Electronic locking of doors with mechanical lock for night time locking (First in last out keylock)
- Interface for fitting access control modules. (Optional)
- Metal detector positioned inside of unit. (Optional)
- Internal micro-camera (Optional)
- Bi directional functionality
- Emergency back up battery
- Internal spot light

Functions and Operations

- *Anti-piggy backing*: electronic control system to avoid access of two people at the same time
- *Transit Speed*: 6 passages a minute in entrance and exit
- *Type of reset*: automatic after the alarm of the metal detector (optional)



PRODUCT DESCRIPTION

Motorised Circular security booth for conventional security entrances. The CubeTECH (AUTO - L) is ideal for controlling movement and establishing a line of defence from the outside, into a building.

APPLICATIONS

- Banks & Financial Institutions
- Post Offices
- Government Offices
- Military Offices
- Immigration Offices
- Data Centres
- Industrial Offices
- Education and Research Centres

From



Bishopsgate

Brought to you by

GUNNEBO
For a safer world

CUBETECH (Auto - L)

ALLTECH

TECHNICAL DATA

<i>Power Supply:</i>	220v +/- 10%, 50Hz
<i>Maximum Power Absorption:</i>	200W
<i>Temperature:</i>	-10° / 55° C
<i>Buffer Battery:</i>	Functions in case of absence of power
<i>Logistic management:</i>	Programmable with microprocessor with n.3 lines RS232 (n.1 RS232 reserved)
<i>Metal Detector:</i>	Placed on the inside of the structure (as option)
<i>Console:</i>	For the management of the cubicle, with interphone link to cubicle
<i>Lighting:</i>	Internal room spot light

DIMENSIONS

Dimensions for CubeTech (Auto – L)

Height: 23500mm

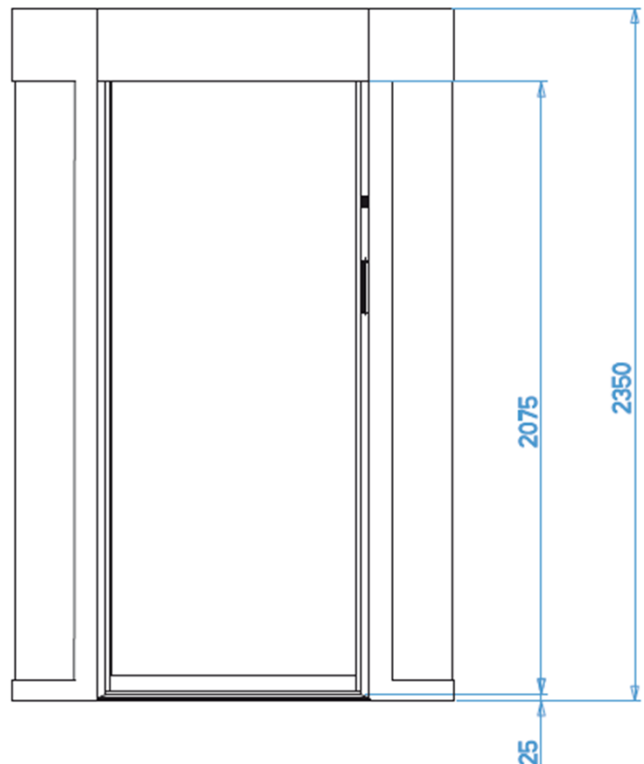
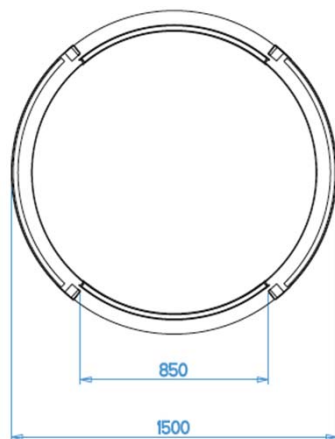
Diameter: 1500mm

Passage Dimensions

Height: 2075mm

Width: 850mm

Weight:- 1000 kgs



Bishopsgate Int (Nig) Ltd

52a Campbell Street

Lagos Island CBD

Lagos State 100221

Tel. +234 (700) 247-4677-4283

Email: sales@bishopsgate-nq.com

Web: www.bishopsgate-nq.com

Brought to you by **GUNNEBO**[®]
For a safer world